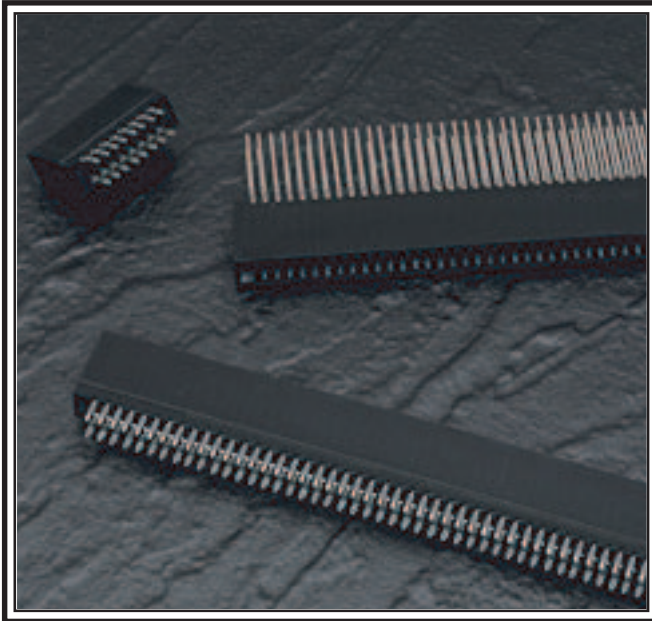


745 SERIES ULTRA-MATE CARD EDGE CONNECTOR

.100" (2.54mm) Contact Spacing, Compliant Pin



FEATURES

- CSA Approved and UL Recognized
- .100 (2.54) Contact Spacing x .200 (5.08) Row Spacing
- Accepts .062 (1.57) Nominal Thickness P.C. Board
- High Profile Insulator Body, .645 (16.38) with End Notch Option
- Ultra-Mate Compliant Section for Gas-Tight Reliable Connection in Plated Through Holes Eliminates Soldering Operations
- Contact Termination Options include P.C. Tail and .025 (0.64) Square Wire Wrap
- Single or Dual Row Configurations
- Accepts Between Contact and In-Contact Polarizing Keys
- Tools Available for Insulator and Contact Removal. Simple "Flat Rock" Tooling is Used for Connector Installation

SPECIFICATIONS

- ◆ Insulator Material: Thermoplastic Polyester, UL 94V-O, Colour: Black
- ◆ Contact Material: Copper, Nickel, Tin Alloy CA-725
- ◆ Contact Plating: 30 Microinches (0.76 Microns) Gold on the Mating Area, Tin on the Compliant Section and Contact Tails, Nickel Underplate. Other Plating Options Available upon Request.
- ◆ Current Rating: 2 Amperes Continuous
- ◆ Contact Resistance: 10 Milliohms Maximum
- ◆ Dielectric Withstanding Voltage: 1200 V AC rms at Sea Level Between Adjacent Contacts
- ◆ Insulation Resistance: 5000 Megohms Minimum
- ◆ Operating Temperature: -65 to +105 Degrees C
- ◆ Daughter Board Insertion Force: 16 oz (4.45 N) Maximum per Contact Pair when Tested with a .070 (1.78) Thick Gauge
- ◆ Daughter Board Withdrawal Force: 1 oz (0.28 N) Minimum per Contact Pair when Tested with a .054 (1.37) Thick Gauge
- ◆ Contact Insertion Into Hole: 20 lbs (89 N) Maximum
- ◆ Contact Retention In Hole: 10 lbs (44 N) Minimum
- ◆ Re-Insertability of Hole: 3 Times Minimum

745 SERIES ORDERING CODE

Example Part Number **745 - 100 - 520 - 2 06**

Series _____
 Total Number of Contacts _____
 Contact Code _____
 Contact Rows _____
 Insulator Options _____

Series 745

Total Number of Contacts ¹	Contact Rows
005, 006,...075	Single Row
010, 012,...150	Dual Row

Contact Code ²	Description & Contact Point	Tail Length"G"
520	P.C. Tail Regular Point	.175 (4.45)
522	P.C. Tail Regular Point	.375 (9.53)
525	P.C. Tail High Point	.175 (4.45)
540	Wire Wrap Regular Point	.560(14.22)
541	Wire Wrap Regular Point	.750(19.05)
545	Wire Wrap High Point	.560(14.22)

Contact Rows	Description
1	Single Row
2	Dual Row

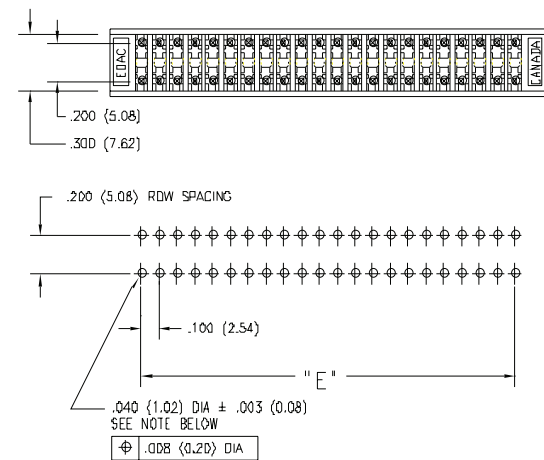
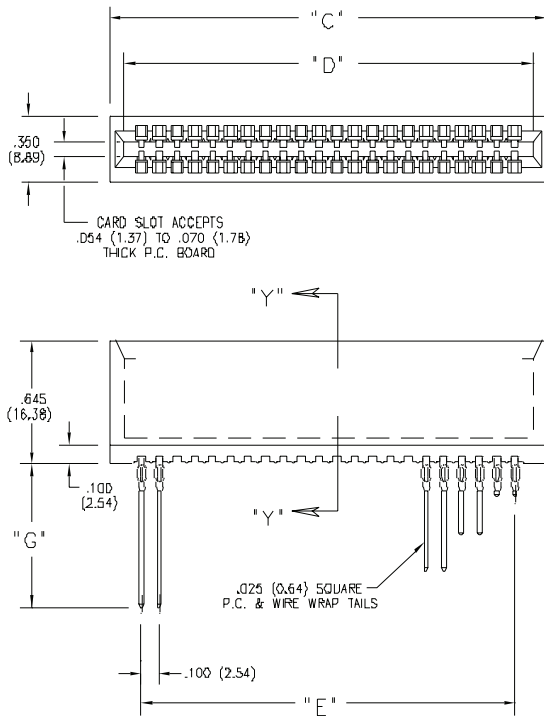
Insulator Options	Description
01	.645 (16.38) Full Height Ends
06	.550 (13.97) Notched Ends

Ordering Code Notes

- 1) All connector sizes up to 75 contacts single row / 150 contacts dual row are available upon request.
- 2) Make-before-break switching contacts, assembled in specific contact positions, are available upon request.

ULTRA-MATE CARD EDGE CONNECTOR SERIES 745

Compliant Pin, Contact Spacing .100" (2.54mm)

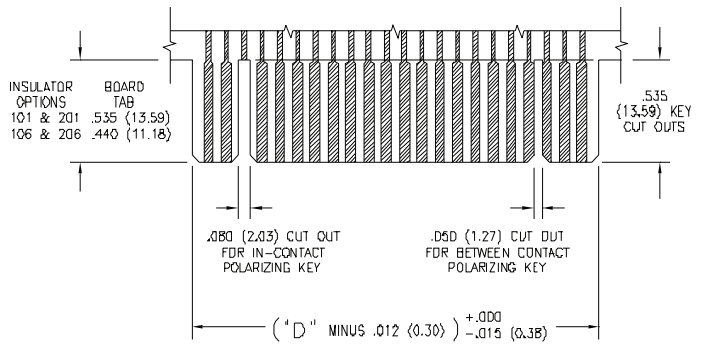
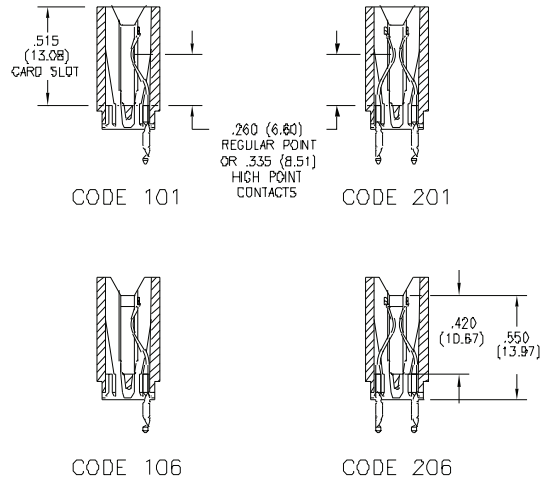


RECOMMENDED MOTHER BOARD HOLE PATTERN

TO OBTAIN OPTIMUM COMPLIANT SECTION PERFORMANCE,
 DRILL HOLES .0453 ± .001 (1.15 ± 0.03) DIAMETER
 COPPER PLATE, .001 (25.4 MICRONS) MINIMUM THICKNESS,
 FOLLOWED BY TIN-LEAD PLATE TO PROVIDE FINISHED
 HOLES .040 ± .003 (1.02 ± 0.08) DIAMETER

SECTIONS "Y" - "Y" CONTACT ROWS & INSULATOR OPTIONS

Single Row Versions May Require Backup Springs Dependent upon the Application. Consult with EDAC for Details.



RECOMMENDED DAUGHTER BOARD

NUMBER OF CONTACTS		"C"		"D"		"E"	
Single	Dual	Inch	(mm)	Inch	(mm)	Inch	(mm)
5	10	.760	(19.30)	.600	(15.24)	.400	(10.16)
10	20	1.260	(32.00)	1.100	(27.94)	.900	(22.86)
15	30	1.760	(44.70)	1.600	(40.64)	1.400	(35.56)
18	36	2.060	(52.32)	1.900	(48.26)	1.700	(43.18)
22	44	2.460	(62.48)	2.300	(58.42)	2.100	(53.34)
25	50	2.760	(70.10)	2.600	(66.04)	2.400	(60.96)
28	56	3.060	(77.72)	2.900	(73.66)	2.700	(68.58)
30	60	3.260	(82.80)	3.100	(78.74)	2.900	(73.66)
31	62	3.360	(85.34)	3.200	(81.28)	3.000	(76.20)
35	70	3.760	(95.50)	3.600	(91.44)	3.400	(86.36)
36	72	3.860	(98.04)	3.700	(93.98)	3.500	(88.90)
43	86	4.560	(115.82)	4.400	(111.76)	4.200	(106.68)
50	100	5.260	(133.60)	5.100	(129.54)	4.900	(124.46)
75	150	7.760	(197.10)	7.600	(193.04)	7.400	(187.96)

Dimensions of Other Connector Sizes are Listed on Page 72